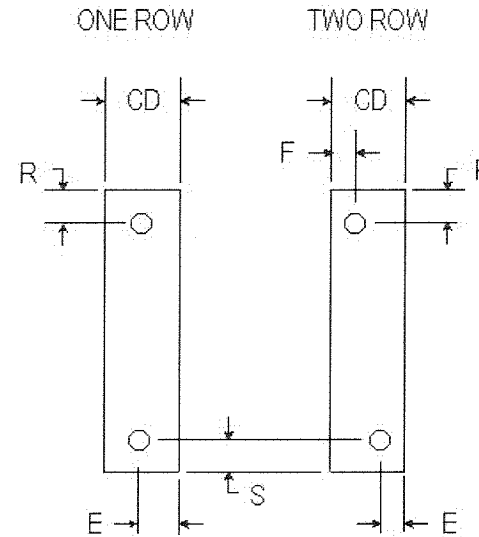
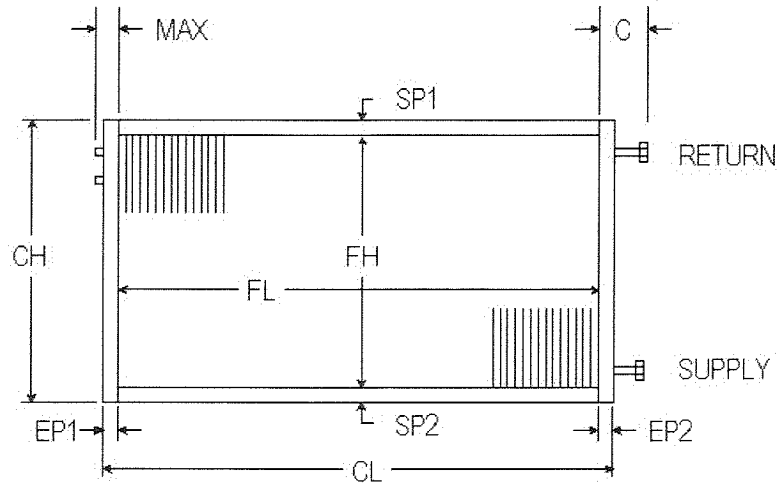
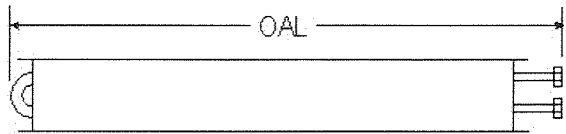


# BOOSTER COILS



|  |   |           |
|--|---|-----------|
| ROWS AVAILABLE                           | 1   | 2         |
| FPI AVAILABLE                            | 8   | 10 12     |
| TUBES OD & Wall Thickness<br>COPPER ONLY | 5/8   | .020      |
|  | 1/2   | .016      |
| FINS Material & Thickness                | ALUM.   | .006 .010 |
|  | COPPER  | .006      |
| CASING                                   | 16 GA. GALV. STEEL  |           |
|  | 16 GA. STAINLESS STEEL  |           |
| MODEL NO. (Example)                      | W - Water<br>8 - 8 fpi<br>1 - 1 row<br>12 - Fin Height<br>24 - Fin Length<br>N - Non Headered |           |

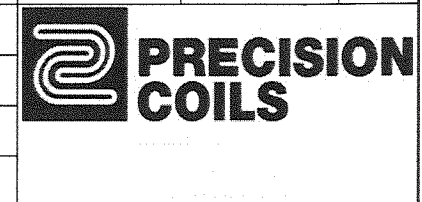
### DIMENSIONAL DATA IN INCHES

$$OAL = MAX + FL + C$$

CONNECTION SIZES  
3/4 MPT 1 MPT

| ITEM | QTY | ROWS | FPI | SP1 | FH | SP2 | CH | EP1 | FL | EP2 | CL | CD | MAX   | C | OAL | SUPPLY | RETURN | CU |
|------|-----|------|-----|-----|----|-----|----|-----|----|-----|----|----|-------|---|-----|--------|--------|----|
|      |     |      |     | 1   |    | 1   |    | 1   |    | 1   |    | 4  | 2 1/4 | 5 |     |        |        |    |

|             |  |  |  |  |  |  |           |  |  |  |  |  |  |
|-------------|--|--|--|--|--|--|-----------|--|--|--|--|--|--|
| P.O. #      |  |  |  |  |  |  | CUSTOMER  |  |  |  |  |  |  |
| W.O. #      |  |  |  |  |  |  | MODEL NO. |  |  |  |  |  |  |
| APPROVED BY |  |  |  |  |  |  | TAG:      |  |  |  |  |  |  |
| DATE        |  |  |  |  |  |  | NOTES     |  |  |  |  |  |  |



|                  |     |  |         |  |         |  |          |  |     |  |     |  |     |  |
|------------------|-----|--|---------|--|---------|--|----------|--|-----|--|-----|--|-----|--|
| Performance Data | CFM |  | EDB/EWB |  | LDB/LWB |  | CAPACITY |  | EWT |  | LWT |  | GPM |  |
|------------------|-----|--|---------|--|---------|--|----------|--|-----|--|-----|--|-----|--|