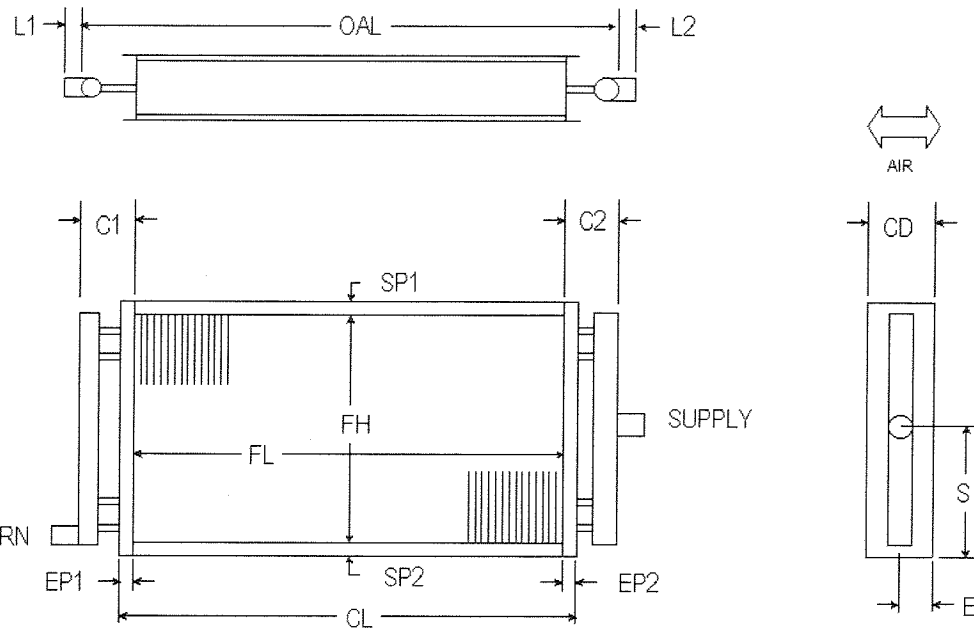



STEAM COILS OPPOSITE END



| | | | | | |
|--|------------------------|-------|-------|------|----|
| ROWS AVAILABLE | 1 | | 2 | | |
| FPI AVAILABLE | 6 | 7 | 8 | 9 | 10 |
| TUBES OD & Wall Thickness COPPER ONLY | 5/8 | .020 | | .025 | |
| | | .035 | | .049 | |
| FINS Material & Thickness | ALUM. | .006 | | .010 | |
| | COPPER | .006 | | | |
| CASING | 16 GA. GALV. STEEL | | | | |
| | 16 GA. STAINLESS STEEL | | | | |
| HEADERS COPPER ONLY | 5/8 | 7/8 | 1 1/8 | | |
| | 1 3/8 | 1 5/8 | 2 1/8 | | |
| | 2 5/8 | 3 1/8 | | | |

DIMENSIONAL DATA IN INCHES

| ITEM | QTY | ROWS | FPI | SP1 | FH | SP2 | CH | EP1 | FL | EP2 | CL | C1 | C2 | OAL | L1 | L2 | CD | CONNECTION SIZES | | | | | | | |
|------------------|-----|------|-----|-----|-----|-----|----|-----------|----|-----|----|----|----|----------|----|---|----|------------------|---|--------|---|------------------------------|--------|--------|----|
| | | | | | | | | | | | | | | | | | | SUPPLY | | RETURN | | <input type="checkbox"/> MPT | SWEAT | FPT | |
| | | | | | | | | | | | | | | | | | | | S | E | R | F | SUPPLY | RETURN | CU |
| | | | | | | | | | | | | | | | | | | | | | | | | STL | |
| P.O. # | | | | | | | | CUSTOMER | | | | | | | |  | | | | | | | | | |
| W.O. # | | | | | | | | MODEL NO. | | | | | | | | | | | | | | | | | |
| APPROVED BY | | | | | | | | TAG: | | | | | | | | | | | | | | | | | |
| DATE | | | | | | | | NOTES | | | | | | | | | | | | | | | | | |
| Performance Data | CFM | | | | EAT | | | | | LAT | | | | CAPACITY | | | | | | | | STEAM PRESSURE (psig) | | | |

FAX TO 978-222-8448 OR E-MAIL TO SALES@H-MAC.COM. CALL US TOLL FREE AT 877-301-4660.